

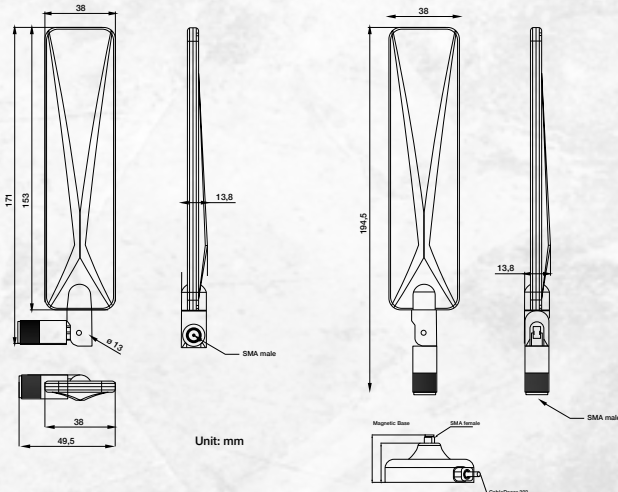


High Gain Antenna



Magnetic Base

Ideal for fringe areas and locations where having a higher level signal strength is desired. This antenna, with modern design, is suitable for 4G LTE routers, terminals and other telematic applications. The antenna is omni directional with high efficiency and covers worldwide networks. Two variations of mounting swivels allow different orientation of antennas on devices with MIMO systems.



Part Number	Mount Type
-------------	------------

ANT-H-GAIN-Z	Connector mount
--------------	-----------------

Specifications

Dimensions (mm)	171 x38 x13.8
-----------------	---------------

Applications

ATMs, ITMs, BTMs, smart safes, POS, digital signs, kiosk, vending machine, gaming equipment, access controls
--



High Gain Antenna Technical Specifications

Cellular Specifications			
Standards	2G,3G and 4G		
Technologies	GSM, CDMA, DCS, PCS, GPRS, WCDMA, UMTS, HSPA, EVDO and LTE		
Band (MHz)	700/850/900	1700/1800/1900/2100	2600
Frequency (MHz)	698-960	1710-2170	2500-2700
Return Loss (dB)	~-7.7	~-12.7	~-8.5
VSWR	~2.4:1	~1.6:1	~2.2:1
Efficiency (%)	~62	~75	~50
Peak Gain (dBi)	~0.4	~2.6	~1.3
Average Gain (dB)	~-2.1	~-1.3	~-3.0
Impedance (Ohm)	50		
Polarization	Linear		
Radiation Pattern	Omni		
Max. Input Power (W)	25		
Connector Type	SMA-Male or RP SMA-Male		
Environmental Specifications			
Radome	PC/ABS UV Stable		
Radome Color	Black		
Connector Feature	Hinged		
Operating temperature (C)	-40 to +85		
Storage Temperature (C)	-40 to +85		
Substance compliance	RoHS, REACH		

Need more information?

Call our connectivity experts at 1-800-561-8880