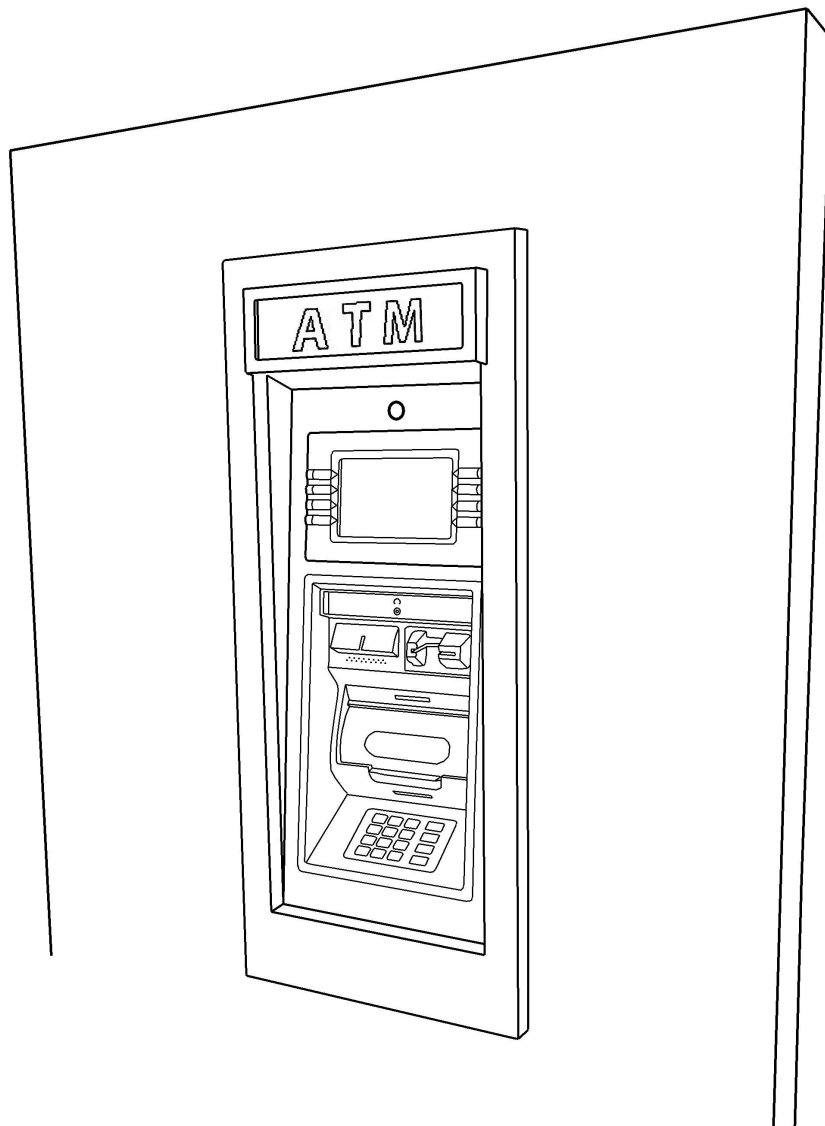


GT3000

Installation Specs



This document contains dimensions and specs for planning your GT3000 installation.

GT3000 Power Requirements:

This machine uses a standard 3-prong 115V AC power cord.

For warranty purposes, Genmega requires the GT3000 ATM should be connected to a dedicated power circuit (5amp minimum). This circuit must consist of line, neutral, and ground leads connected directly to the circuit breaker panel. This circuit should not be shared with any other equipment which may cause a drop in voltage across the circuit (ex. HVAC or Compressor)

Note that an improper or inadequate ground can lead to random dispensing and card reader problems.

Use of an uninterruptible power supply is recommended as low voltage to the ATM can cause data loss and corruption of software.

Input voltage:

110/220 VAC \pm 10%, 50/60 Hz
(power supply has 115v – 220v switch. Default is set to 115v)

Power draw is 175w max (during print / dispense cycle) this is approximately 6 seconds per transaction.
Power draw at idle is 25w

Operating Environment:

Temperature

In storage : 32°F - 123°F (0°C ~ 49°C)
While operating : 40°F - 95°F (5°C ~ 35°C)

Humidity

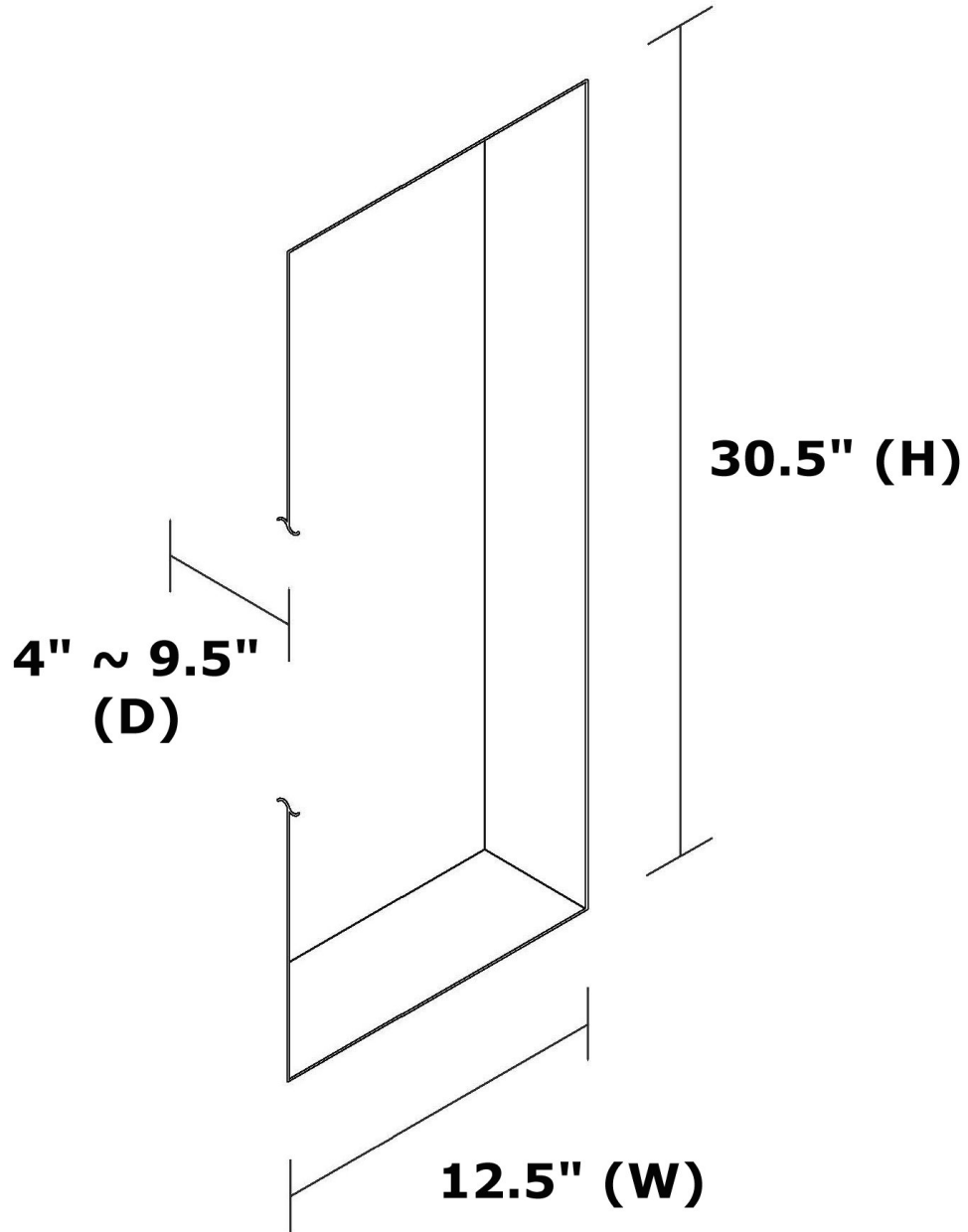
In storage : 10% < RH < 90%, non-condensed
While operating : 15% < RH < 85%, non-condensed

Please note that this ATM machine is NOT waterproof – an awning should be provided to shield from direct rain or weather. Water damage to the machine’s components is not covered under warranty.

Make sure that the cash door or ‘shutter’ will properly close, if held open the inside of the dispenser mechanism can be exposed to dust / moisture.

Construction Dimensions:

The wall hole should be sized 30.5" (height) and 12.5" (width) as shown below.

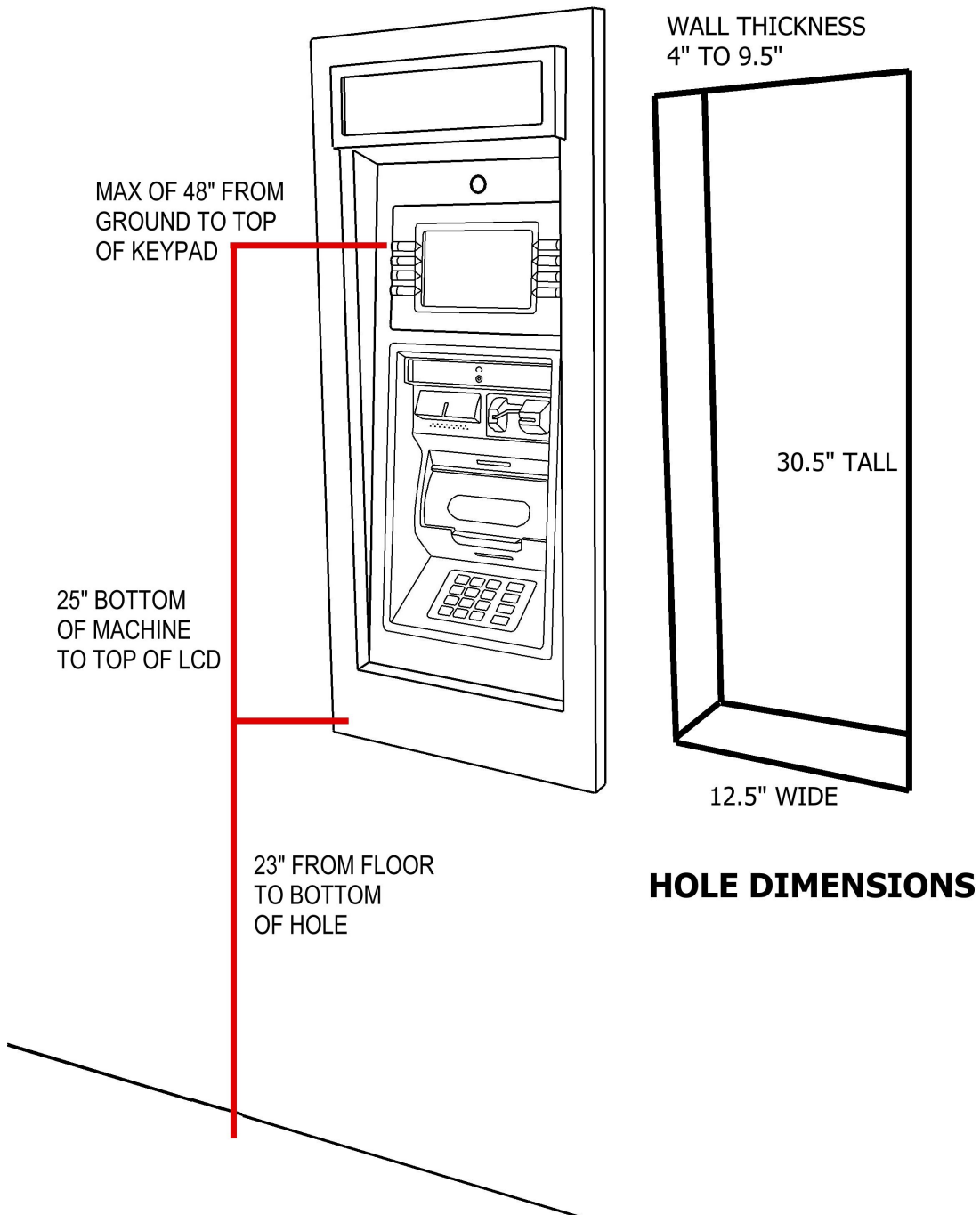


The maximum wall thickness for installation is 9.5". If a wall thickness of less than 4" will be used, then you will need to fabricate a spacer to fill the distance between the back of the wall and the side brackets.

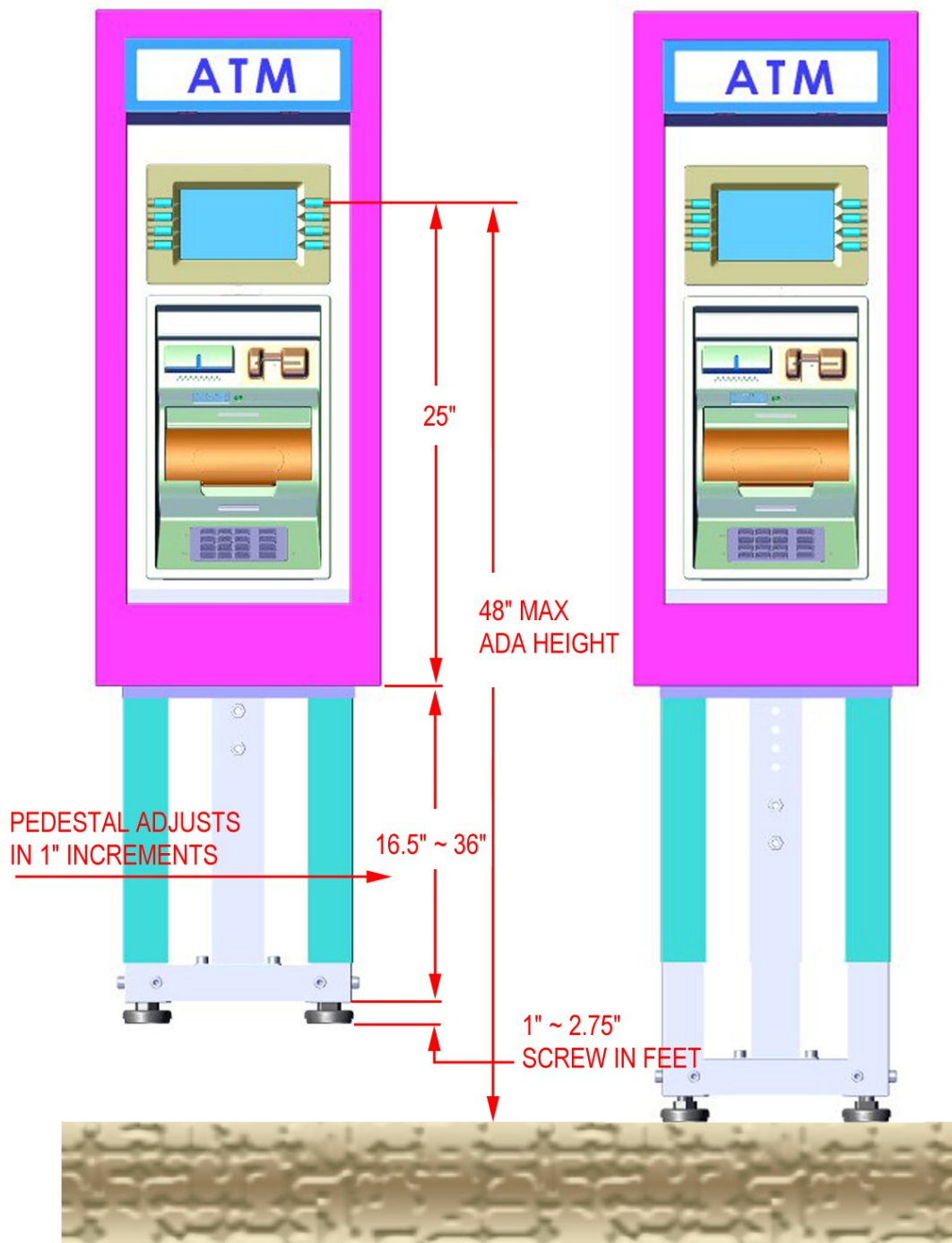
Setting the height of the hole:

The ADA guidelines require unobstructed front and side access – as well as a maximum 'control' (button) height of 48" – this means that the uppermost buttons on the sides of the screen must measure **no more than 48"** from centerline of button to the ground.

The following shows the **maximum height** to set the hole so that the machine is at the maximum allowed height for ADA compliance.



The GT3000 uses a pedestal which allows adjustment in height from 16.5 inches minimum up to 36" maximum. Bolt holes in the pedestal are spaced in 1 inch increments. Fine adjustment can be made using the screw-in 'feet' on the bottom of the pedestal as shown below.



Below shows how much distance is required behind the machine to open the upper and lower cabinet doors.

The top portion of the cabinet has a sliding tray for access to the receipt paper, power switch and optional Rear Service panel. You'll need 12" of space to fully open that top door. Top cabinet door swing is minimum of 2" and maximum of 13" (opens to the left – standing behind machine)

The lower cabinet or vault has a sliding tray allowing removal and maintenance of the cash dispenser – this sliding tray extends 22" from the rear of the vault. Vault door swing is minimum of 3" and maximum of 7" (opens to the left – standing behind machine)

