

MX2600SE

NFC(KIOSK-IV) installation Manual

2024. 01. 22.

Revision History








Rev.	Date	WRT	CHK	APL	Contents
00	2024.01.22	JIN.SK	JEONG.SS	LEE.DS	Mass Product Step

Purpose, Part List

■ Purpose

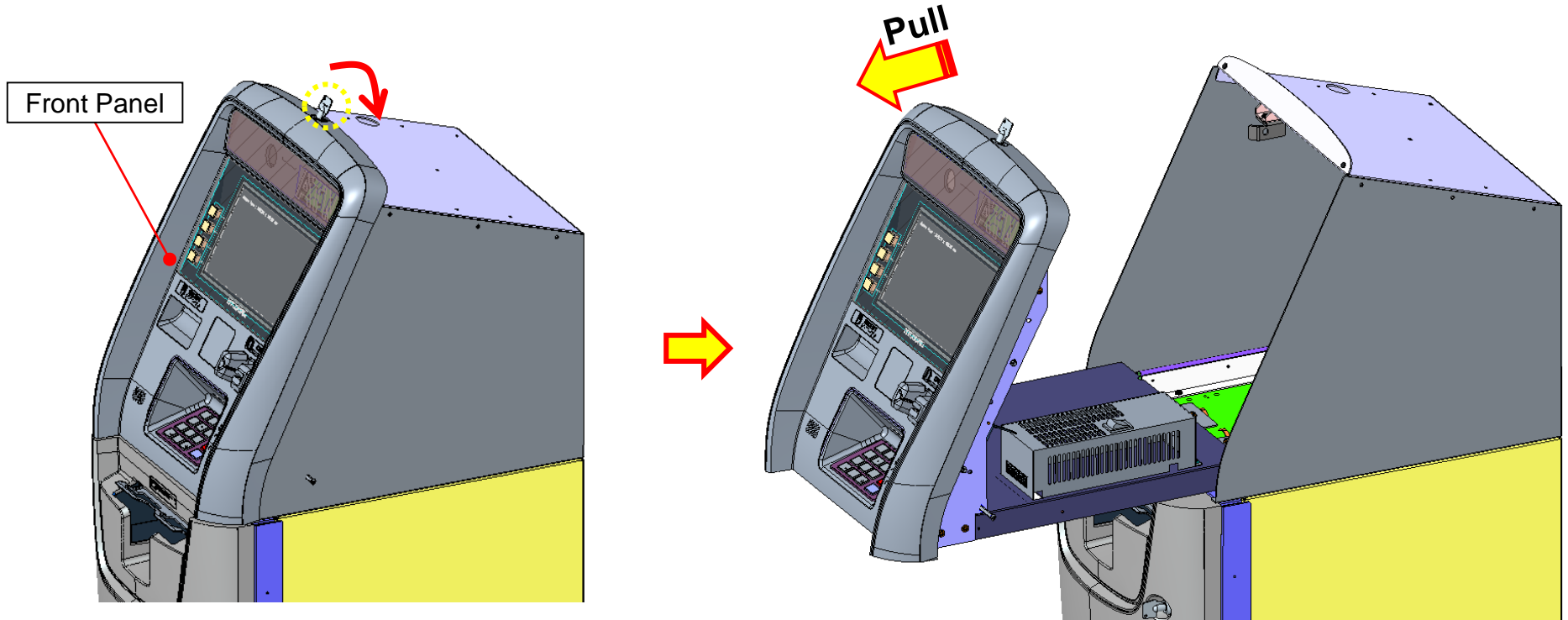
This is the instruction how to add NFC(KIOSK-IV)

■ Parts

No	Part No.	Part Name	Q'ty	Etc.
1	5412000140	UNIT:VIVOPAY KIOSK IV(IDVK-411):IDTECH	1	
2	4210009168	SUPPORT:NFC_VIVOPAY_IV_MX2600	1	
3	44683801	SCREW:TRUSS:TAP-2:M4X8:W/ZN	2	
4	3200009956	CABLE_ASSY:MBD(CN12)NFC_IF:550MM	1	
5	3200012367	CABLE_ASSY:VIVO4_SPR_PWR:LOBBY	1	
6	33659001	CABLE_TIE:CABLE:BLACK:100	3	
7	5721002217	LABEL:RF:PC0.38T:MX2600	1	

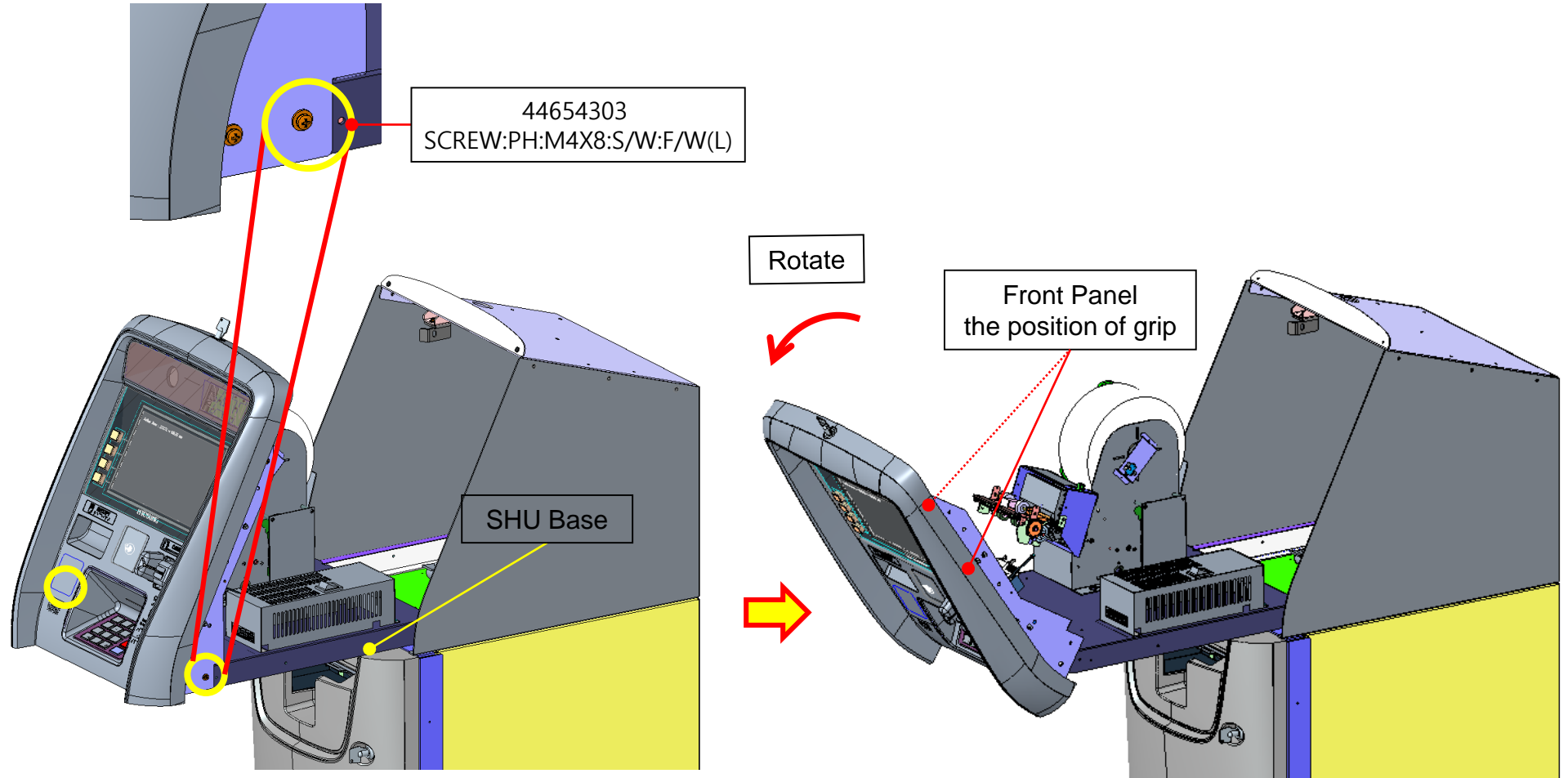
[Step 1] Front Panel Open

1. Using the system key, unlock the top of the front panel and then pull the front forward.



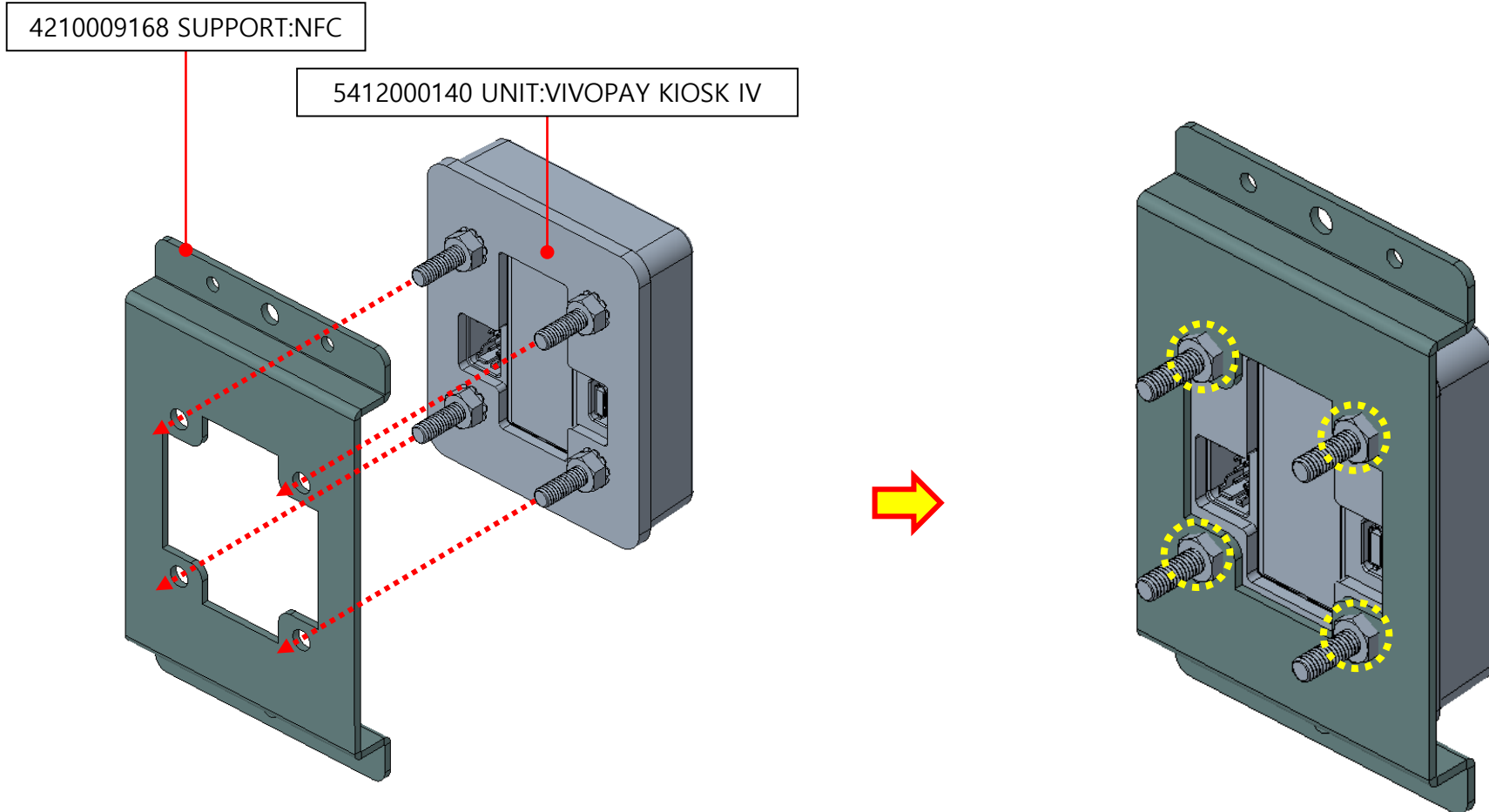
[Step 2] Front Panel Rotation

1. Unscrew the two fixing pieces on the front and base of the SHU.
(requires both left and right release) → "O" marked part
2. Remove the screw and turn the front panel forward.
3. Hold both ends and slowly rotate the front panel.



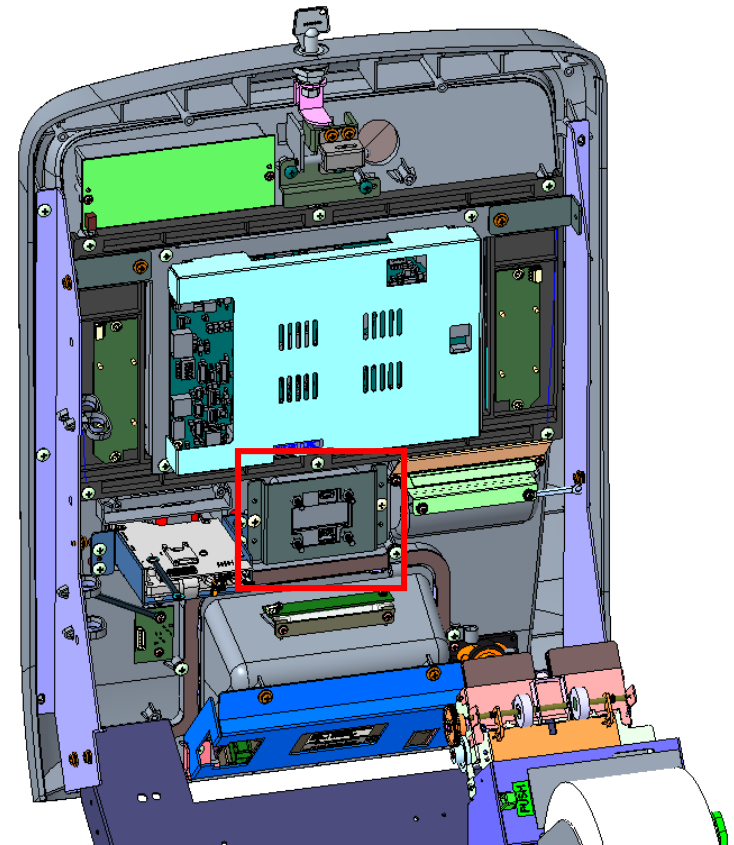
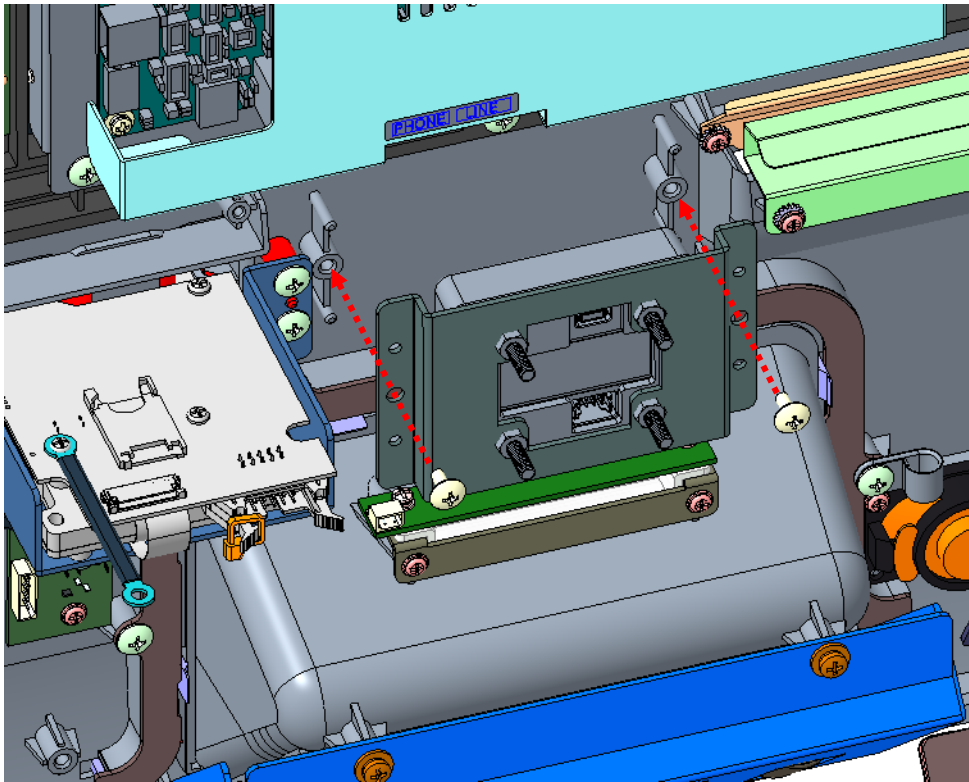
[Step 3] NFC Part Sub Assembly

1. Assemble NFC fixed brkt and module. (4210009168, 5412000140)
2. When fixing the NFC, remove the nut from the module, combine the stud bolt and brkt, and re-tighten the nut to assemble.



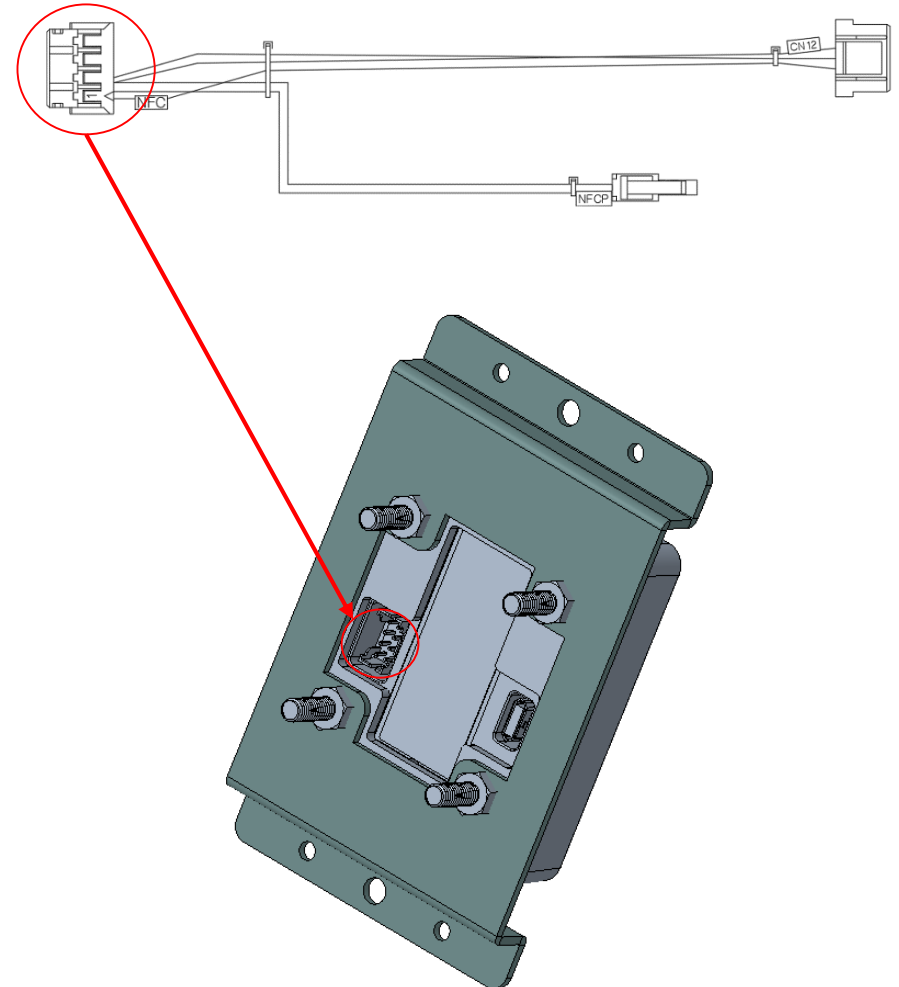
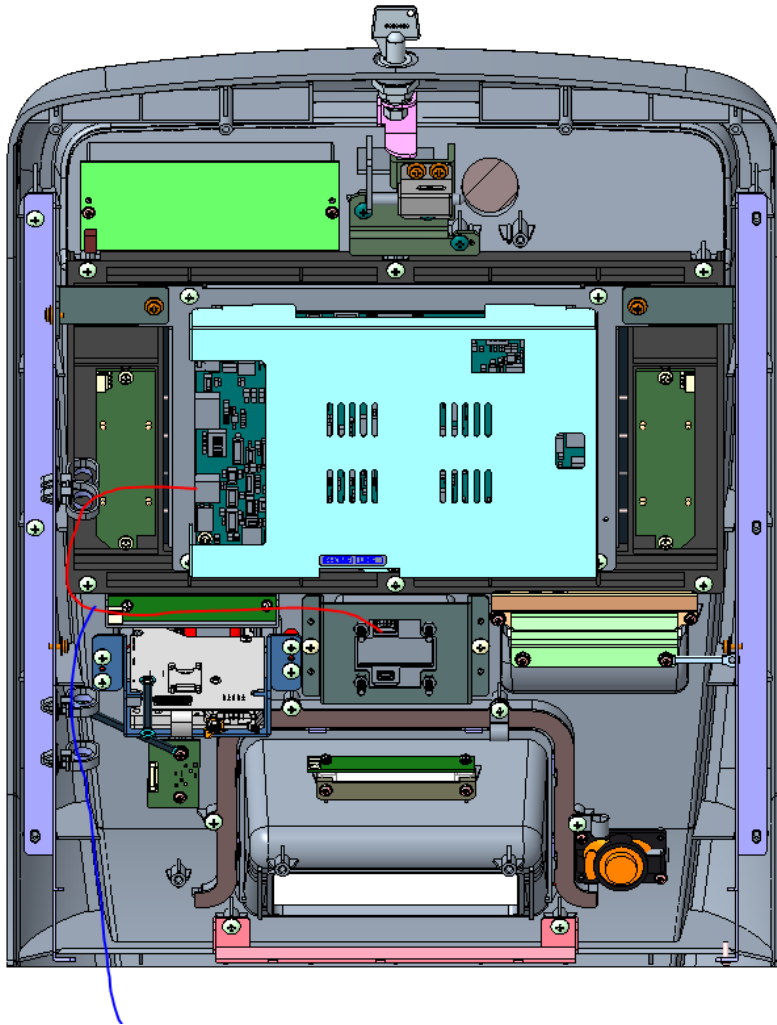
[Step 4] NFC Part Assembly

1. Fix the NFC module mounted on brkt. (44683801 → 2ea)



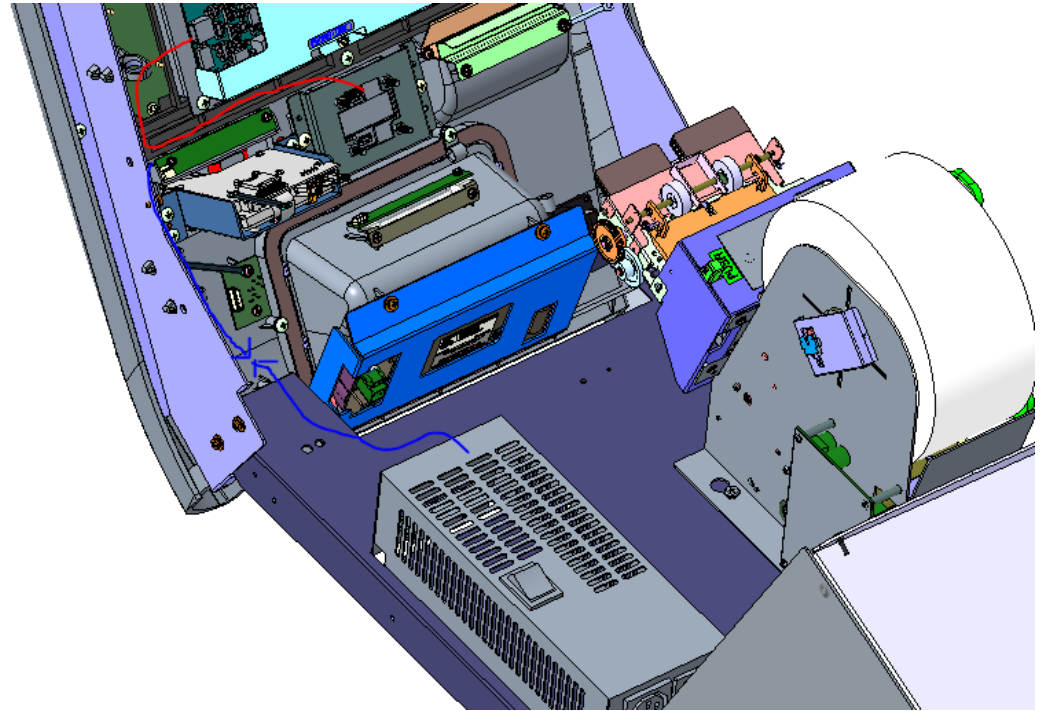
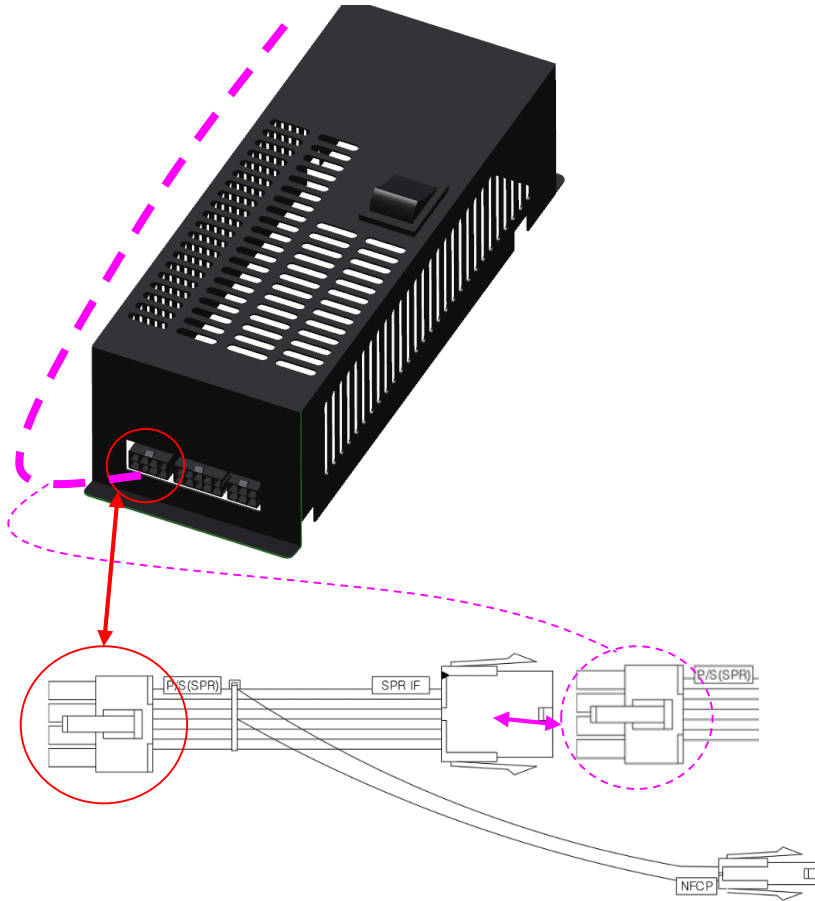
[Step 6] NFC Cabling

1. Connect the cable as shown below. (3200009956)



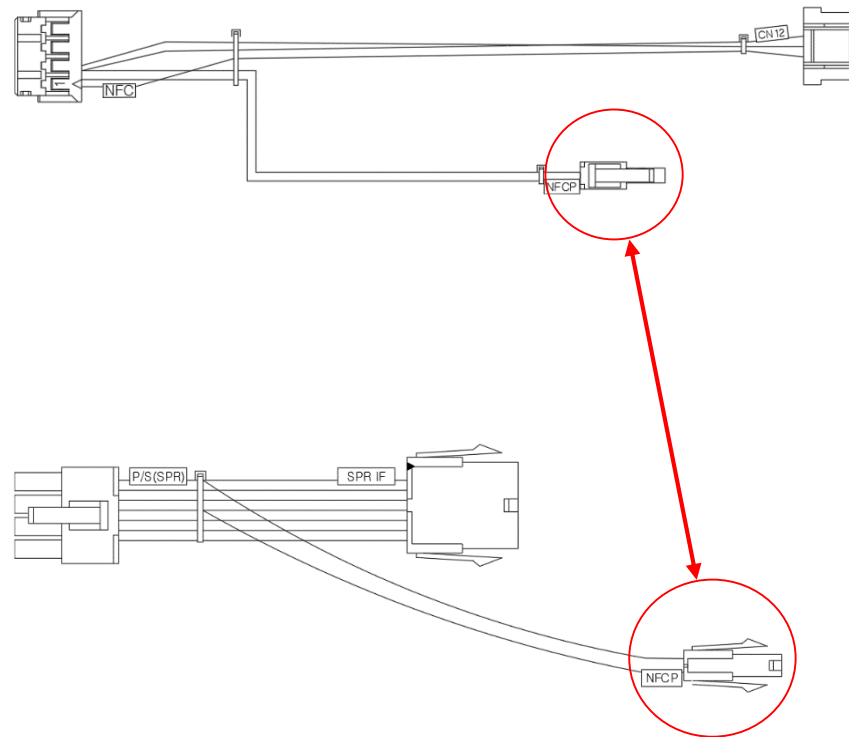
[Step 7] NFC Cabling

1. Disconnect the SPR cables from the old power supply and organize them as follows. (3200012367)



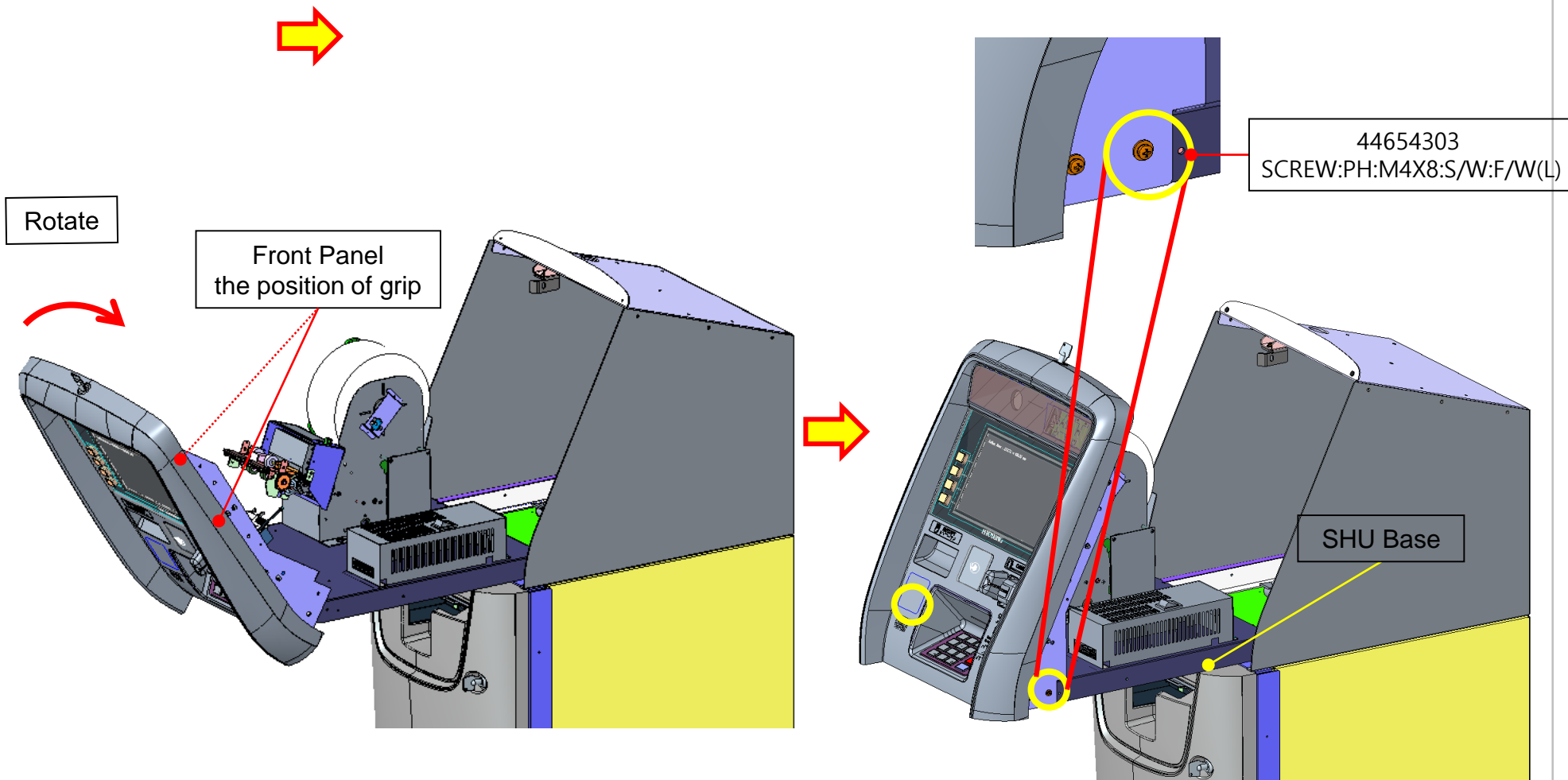
[Step 8] NFC Cabling

1. Connect the 3200009956 cable NFCP and 3200012367 cable NFCP connectors.



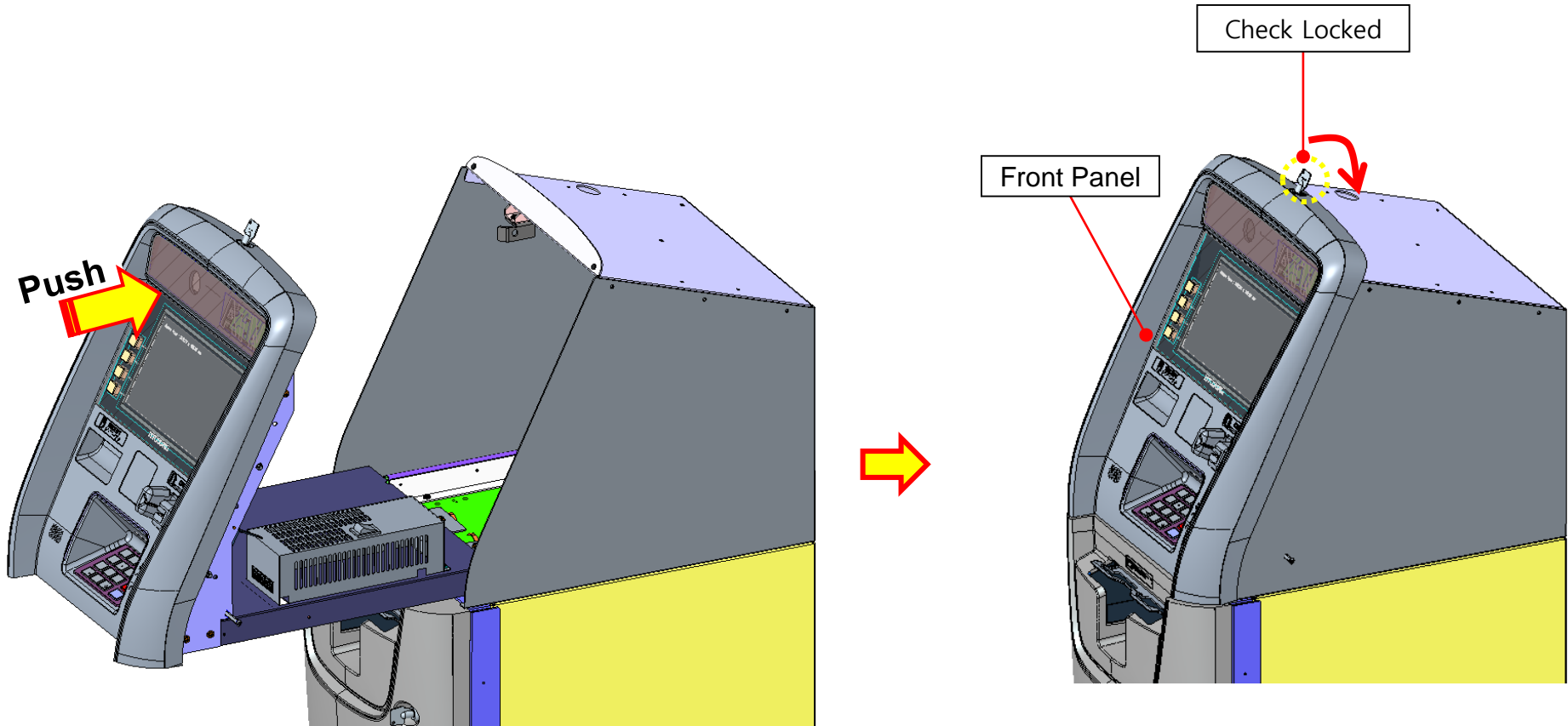
[Step 9] Front Panel Rotation

1. After rotating the front panel again, fix the left and right frames of the panel again. (44654303 → 2ea)



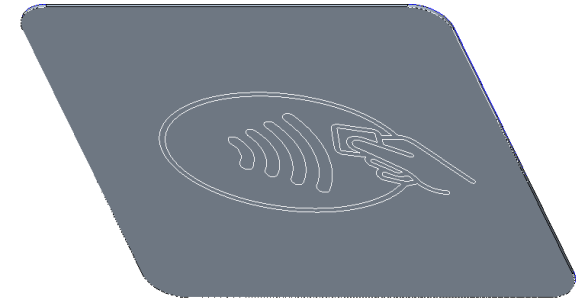
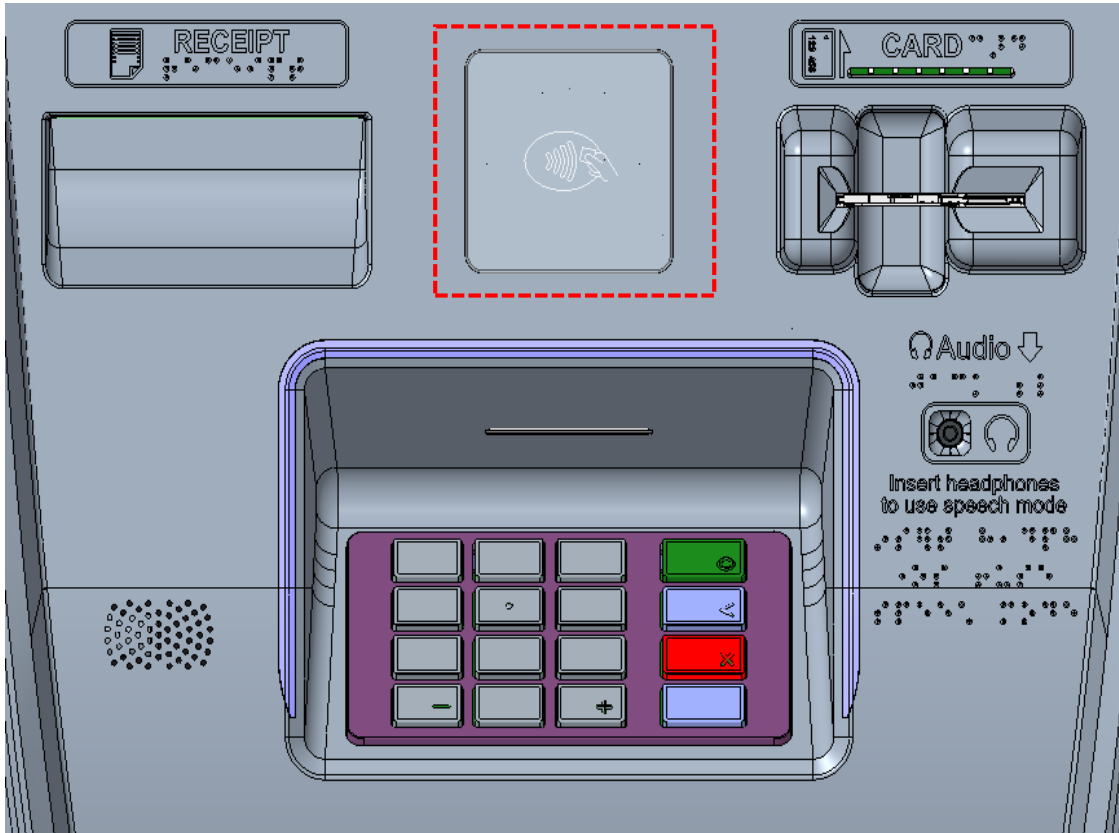
[Step 10] Close the Front Panel

1. Push the front panel back to lock the pin lock on the panel.
2. Make sure that the front panel is locked properly.



[Step 11] Labeling (NFC Label)

1. As Label the groove as shown below



[Step 12] S/W Setting

1. Activate RFID Reader.

- Navigate to OPERATOR PROGRAM >> SYSTEM SETUP >> DEVICE SETUP
- Press RFID EN/DISABLE button to activate RFID Reader.



[Step 13] S/W Setting

2. Testing RFID Reader

- Navigate to OPERATOR PROGRAM >> DIAGNOSTICS >> AUXILIARY UNIT >> RFID CARD SCAN
- Contact your card to RFID Reader then the card data would be shown on 'ISO1' area.

The screenshot displays the 'RFID CARD SCAN' screen from the HYOSUNG system. At the top, the 'HYOSUNG' logo is on the left and 'RFID CARD SCAN' is centered in a dark header. Below the header, the instruction 'TOUCH THE CARD ON RFID' is shown in blue. The main area contains three rows of data entry fields:

- ISO1:** A 'LEN' field with a small input box and a large empty text box for card data.
- ISO2:** A 'LEN' field with a small input box and a large empty text box for card data.
- ISO3:** A 'LEN' field with a small input box and a large empty text box for card data.

At the bottom of the screen, there is a prominent red button labeled 'CANCEL TO RETURN'.

ISO1

Card data captured by RFID Reader would be shown.